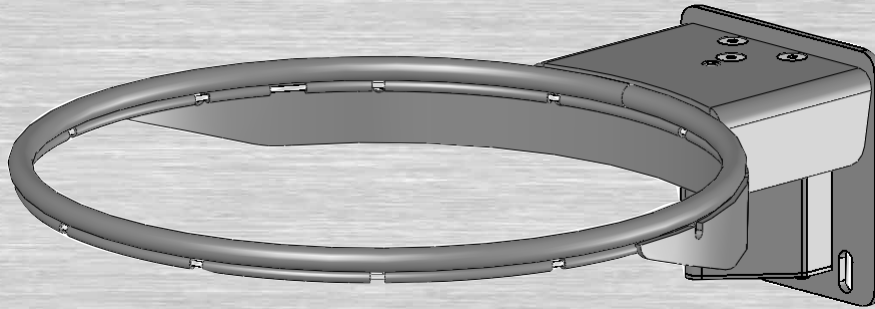


Rim Owners Manual



**Write Model Number
From Box Here:**



! WARNING!

**READ AND UNDERSTAND
OPERATOR'S MANUAL
BEFORE USING THIS UNIT.**

**FAILURE TO FOLLOW
OPERATING INSTRUCTIONS
COULD RESULT IN INJURY
OR DAMAGE TO PROPERTY.**

Customer Service Center
• 200 American Avenue • Jefferson, IA 50129
www.spalding.com • www.basketballproducts.com • www.hydra-rib.com

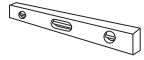
REQUIRED TOOLS AND MATERIALS:



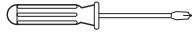
- (2) Stepladders 8 ft. (2.4 m)



- (1) Allen Wrench (7/16")
- (1) Allen Wrench (1/4")



- (1) Carpenter's Level



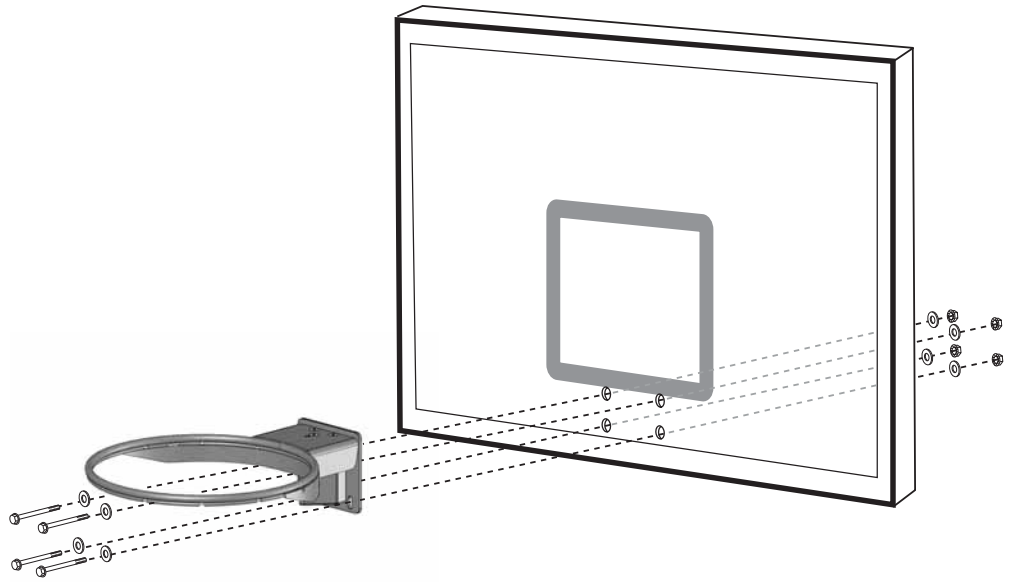
- (1) Phillips-Head Screwdriver



- (2 each) 9/16" Wrenches and/or Socket Wrenches and Sockets

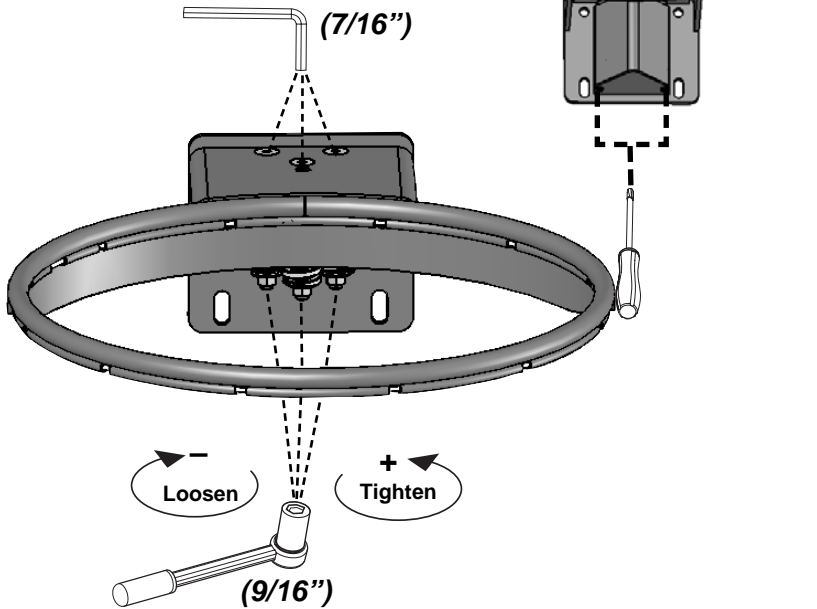


- (Deep-Well Sockets 9/16" are Recommended).

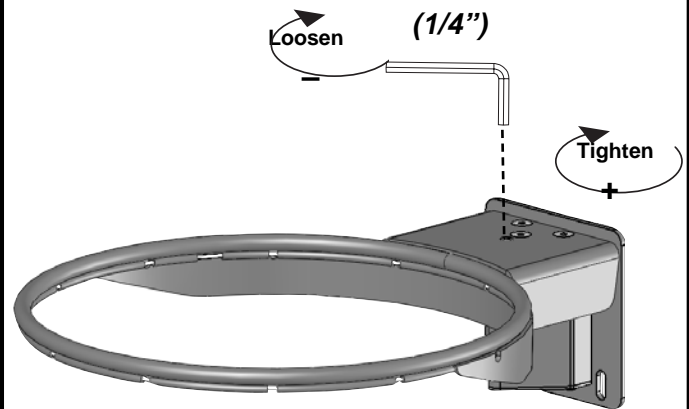


TO ADJUST TENSION

Remove the rim cover from the rim and make adjustments as shown.



TO LEVEL RIM



INSTALL NET

- Remove nylon net-holder from the rim.
- Reinstall while inserting all net loops into slots along ring as shown.

